

## GC13 Deep Dish Slam-Bolt Paddle Latch

### Features

- Deep dish (30 mm) with internal finger-shield and beaded edge on flap for easy operation
- Stainless locking bolt slides on carrier, giving protection against flap being forced
- Low-profile lock with double-sided key cylinder as standard
- Slam action against door frame or striker, released by lifting flap
- Locking with key blocks movement of flap, but slam bolt can still be slammed and opened from inside
- Pierced rim or plain rim models
- Gasket supplied

### Material

- Stainless steel models: Stainless steel 304, polished
- Steel models: Mild steel, clear zinc plated (or black powder coated on request)

### Notes

- For key-locking options, 'FT' keys as standard, with shuttered keyway. Optionally, 'FS', '92', 'DLP' or 'Ronis' key types also available
- Inside release knob options available

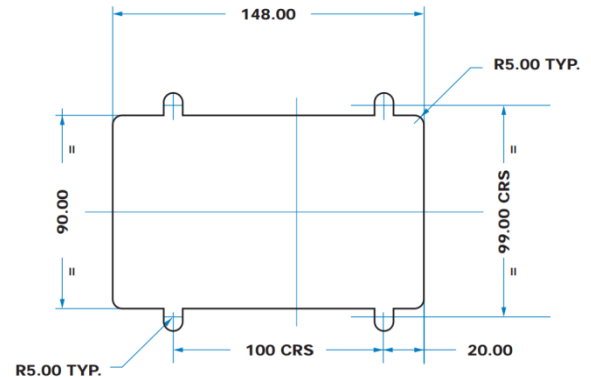
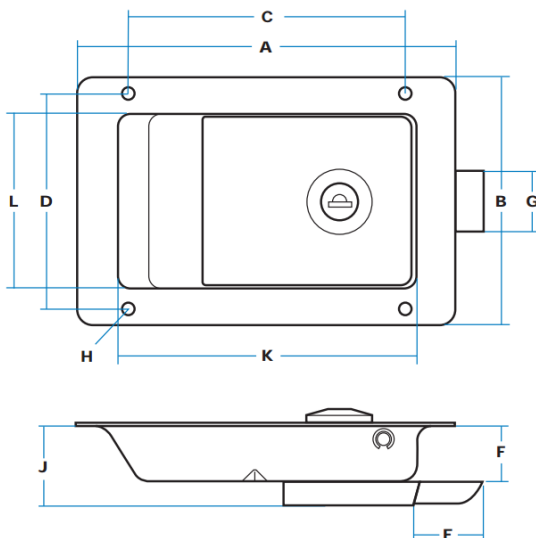


**GC12-G02028**  
(Stainless steel)



### Product Performance

- Loading force: 2,450 N
- Endurance: 50,000 cycles



Part No.	Material	Rim	Locking	Key	A	B	C	D	E	F	G	H	J	K	L
GC13-G02028	Stainless Steel	Pierced	Yes	Standard	170	110	100	99	28	30	19	7	44	142	82
GC13-G02028-01				FT111											
GC13-G02029			No	-											
GC13-G02006	Mild Steel	Plain	Yes	Standard											
GC13-G02006-01				FT111											
GC13-G02007			No	-											
GC13-G02008	Pierced	Pierced	Yes	Standard											
GC13-G02008-01				FT111											
GC13-G02009			No	-											